

BLOWER	INTAKE SILENCER	B	C	D	E	F
4606	29551-030	3 NPT	65½	70¼	29	7
	29551-040	4 FLG	66¾	72¼	35	7½
4609	29551-040	4 FLG	66¼	71¾	35	7½
	29551-050	5 FLG	67¼	74	46	9
4612	29551-040	4 FLG	66¼	72	35	7½
	29551-050	5 FLG	67¼	74¼	46	9
	29551-060	6 FLG	68¾	76¾	52½	9

FILTER (OPTIONAL)	L	M
26512-030	9⅝	8⅛
26512-F40	16¼	12½
26512-F50	18	15½
26512-060	20½	17

BLOWER	DISCHARGE SILENCER	G	H	J	K
4606	29552-030	3 NPT	15	36	7
	29552-040	4 FLG	12¼	42	8
4609	29552-030	3 NPT	15½	36	7
	29552-040	4 FLG	12¾	42	8
4612	29552-040	4 FLG	15¼	42	8
	29552-050	5 FLG	13¼	53½	9
	29552-060	6 FLG	11¾	59	10

BLOWER	A
4606	12¼
4609	13¾
4612	15¼

MOTOR W/SLIDE BASE 1800 RPM, 230/460 V, 3 PH, 60 HZ		
HP	FRAME	TYPE
40	324T	ODP
50	326T	TEFC
60	364T	TEXP
75	365T	SEVERE DUTY TEFC
		SEVERE DUTY TEXP

B ⚠ MALE NPT OR FLAT FACED FLG 125/150 LB ANSI DRILLING

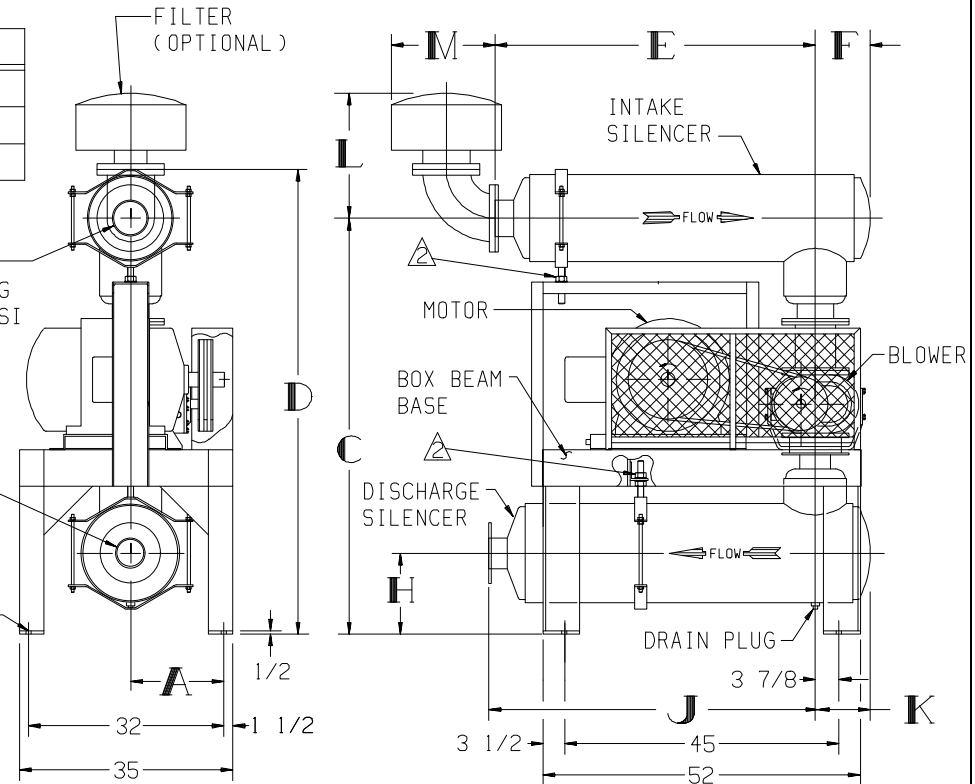
G ⚠ MALE NPT OR FLAT FACED FLG 125/150 LB ANSI DRILLING

Ø 13/16
4 HOLES

THIS OUTLINE APPLIES TO THE BLOWERS AND MOTORS SHOWN IN TABLES

NOTE:

- ⚠ CONNECTION SIZES SHOWN IN TABLES ABOVE ARE STANDARD CONNECTIONS. WHEN REQUESTED, CONNECTIONS OTHER THAN STANDARD CAN BE SUPPLIED. IF SO, THEY ARE _____ INLET & _____ OUTLET CONNECTIONS.
- ⚠ WITH BASE INSTALLED & SILENCERS UNRESTRAINED:
 - A. FIRMLY HAND TIGHTEN UPPER NUT, THEN TIGHTEN ADDITIONAL 1/4 TURN.
 - B. SECURELY LOCK WITH LOWER NUT.



APPROXIMATE WEIGHT

BASE, DRIVE & GUARD-	650	LBS
BLOWER	-	LBS
MOTOR & S.B.	-	LBS
SILENCERS	-	LBS
FILTER	-	LBS
TOTAL WEIGHT	-	LBS



TUTHILL CORPORATION

M-D Pneumatics Division

Springfield
Missouri
USA

BASE MOUNTED OUTLINE B4600VV2A

SIZE:

C2

DR: SY 5-20-91

CH: A0 1-8-93