

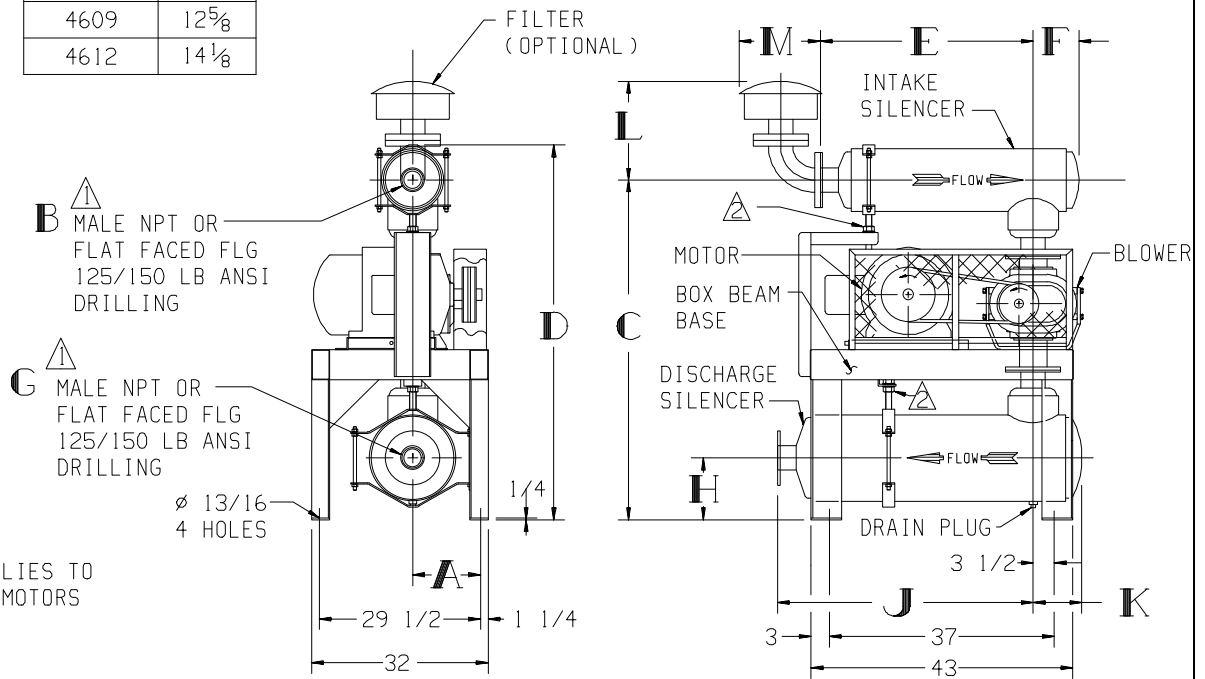
BLOWER	INTAKE SILENCER	B	C	D	E	F
4606	29551-030	3 NPT	56	60¼	29	7
	29551-040	4 FLG	56	61¾	35	7½
4609	29551-040	4 FLG	55½	61¼	35	7½
	29551-050	5 FLG	58	64¾	46	9
4612	29551-040	4 FLG	56	61¾	35	7½
	29551-050	5 FLG	56½	63½	46	9
	29551-060	6 FLG	58	66	52½	9

FILTER (OPTIONAL)	L	M
26512-030	9⅝	8⅛
26512-F40	16¼	12½
26512-F50	18	15½
26512-060	20½	17

BLOWER	DISCHARGE SILENCER	G	H	J	K
4606	29552-030	3 NPT	12½	36	7
	29552-040	4 FLG	10	42	8
4609	29552-030	3 NPT	13	36	7
	29552-040	4 FLG	10½	42	8
4612	29552-040	4 FLG	13½	42	8
	29552-050	5 FLG	11½	53½	9

BLOWER	A
4606	11⅛
4609	12⅝
4612	14⅛

MOTOR W/SLIDE BASE 1800 RPM, 230/460 V, 3 PH, 60 HZ		
HP	FRAME	TYPE
15	254T	ODP
20	256T	TEFC
25	284T	TEXP
30	286T	SEVERE DUTY TEFC
		SEVERE DUTY TEXP



APPROXIMATE WEIGHT

BASE, DRIVE & GUARD-	350	LBS
BLOWER	-	_____ LBS
MOTOR & S.B.	-	_____ LBS
SILENCERS	-	_____ LBS
FILTER	-	_____ LBS
<hr/>		
TOTAL WEIGHT	-	_____ LBS

TUTHILL CORPORATION M-D Pneumatics Division	Springfield Missouri USA
	BASE MOUNTED OUTLINE B4600VV1A
SIZE: C2	
DR: SY 3-22-91	CH: A0 7-8-91