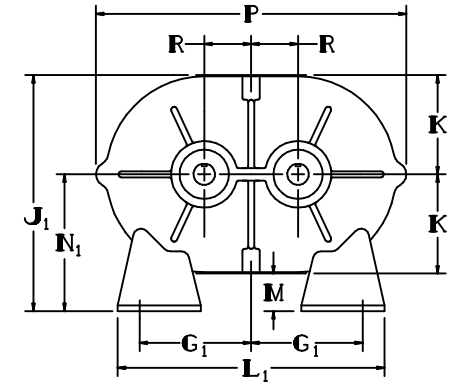
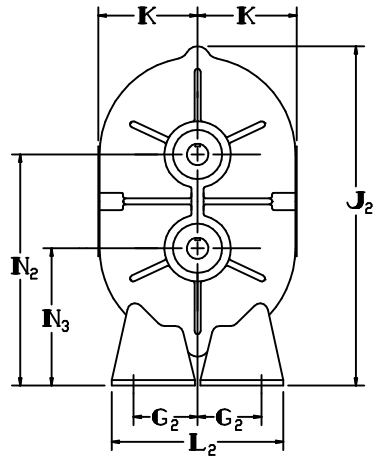
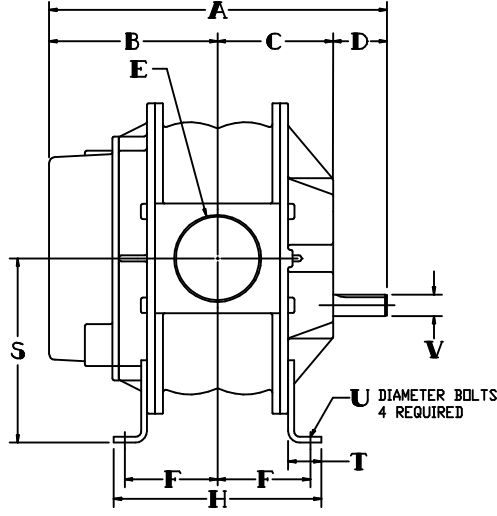
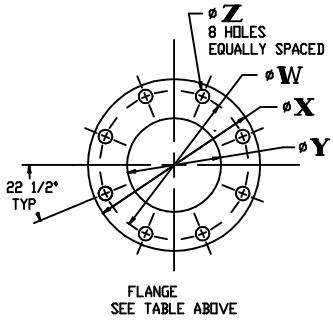


A	ADDED 7000 MODELS (EEN 3691)	3-27-01	TK MS
B	ADDED 3002 (EEN 3730)	5-17-01	TK MS
C	3 INCH SHAFT DIA'S WERE 3/4 (EEN 3800)	12-5-01	SM TK

BLOWER MODEL	W	X	Y	Z
6015	9 1/2	11	6	7/8 THRU
7011	9 1/2	11	6	3/4 -10 X 1 1/8 DP.
7018	11 3/4	13 1/2	8	3/4 -10 X 1 1/8 DP.



BLOWER MODEL	A	B	C	D	E	F Δ		Δ G ₁		Δ G ₂		H	J ₁	J ₂	K	L ₁	L ₂	M	N ₁	N ₂	N ₃	P	R	S	T	U	V	KEYWAY	WEIGHT LBS
						MIN	MAX	MIN	MAX	MIN	MAX																		
2002	10	4 7/8	2 3/8	2 1/2	1 NPT	2	2	1 1/2	2	1 1/2	2	5	6 7/8	9 11/16	3 1/8	5 1/8	5 1/8	3/8	3 3/4	6 1/4	3 3/4	9 3/8	1 1/4	5	1 1/4	3/8	3/8	3/16 X 3/32	41
2004	12	5 7/8	3 3/8	2 1/2	2 NPT	3	3	1 1/2	2	1 1/2	2	7	6 7/8	9 11/16	3 1/8	5 1/8	5 1/8	3/8	3 3/4	6 1/4	3 3/4	9 3/8	1 1/4	5	1 1/4	3/8	3/8	3/16 X 3/32	53
3002	11 3/8	5 11/16	3 3/8	2 1/2	1 1/2 NPT	2 3/16	2 1/16	2 11/16	2 11/16	2 11/16	2 11/16	6 3/4	8 15/16	12 13/16	3 15/16	7 1/4	7 1/4	1 1/16	5	8 1/2	5	12 3/16	1 3/4	6 3/4	1 3/4	7/16	7/8	3/16 X 3/32	78
3003	12 7/16	6 3/16	3 3/4	2 1/2	2 NPT	3	3 1/8	2 11/16	2 11/16	2 11/16	2 11/16	7 5/8	8 15/16	12 13/16	3 15/16	7 1/4	7 1/4	1 1/16	5	8 1/2	5	12 3/16	1 3/4	6 3/4	1 3/4	7/16	7/8	3/16 X 3/32	83
3006	14 13/16	7 3/8	4 15/16	2 1/2	2 1/2 NPT	4 1/4	4 5/16	2 11/16	2 11/16	2 11/16	2 11/16	10	8 15/16	12 13/16	3 15/16	7 1/4	7 1/4	1 1/16	5	8 1/2	5	12 3/16	1 3/4	6 3/4	1 3/4	7/16	7/8	3/16 X 3/32	113
4002	12 15/16	6 1/4	3 11/16	3	1 1/2 NPT	2 3/4	2 7/8	3 1/16	3 1/16	3 1/16	3 1/16	7 1/4	10 5/8	15 1/8	4 3/8	8	8	1 7/8	6 1/4	10 1/4	6 1/4	13 11/16	2	8 1/4	2	7/16	7/8	3/16 X 3/32	95
4005	15 1/16	7 5/8	5 1/16	3	2 1/2 NPT	4 1/8	4 1/4	3 1/16	3 1/16	3 1/16	3 1/16	10	10 3/8	15 1/8	4 3/8	8	8	1 7/8	6 1/4	10 1/4	6 1/4	13 11/16	2	8 1/4	2	7/16	7/8	3/16 X 3/32	119
4007	17 7/16	8 1/2	5 15/16	3	3 NPT	5	5 1/8	3 1/16	3 1/16	3 1/16	3 1/16	11 3/4	10 5/8	15 1/8	4 3/8	8	8	1 7/8	6 1/4	10 1/4	6 1/4	13 11/16	2	8 1/4	2	7/16	7/8	3/16 X 3/32	138
5003	15 1/4	7 3/8	4 1/2	3 3/8	2 1/2 NPT	3 3/8	3 3/16	3 1/2	3 1/2	3 1/2	3 1/2	8 3/8	12 1/8	17 3/8	5 3/8	10 1/2	10 1/2	1 3/8	6 3/4	11 1/4	6 1/4	17 3/16	2 1/2	8 3/4	1 7/8	1 1/8	1 1/8	1/4 X 1/8	152
5006	17 7/8	8 11/16	5 13/16	3 3/8	4 NPT	4 11/16	4 7/8	3 1/2	3 1/2	3 1/2	3 1/2	11	12 1/8	17 3/8	5 3/8	10 1/2	10 1/2	1 3/8	6 3/4	11 1/4	6 1/4	17 3/16	2 1/2	8 3/4	1 7/8	1 1/8	1 1/8	1/4 X 1/8	185
5009	20 7/8	10 3/16	7 3/16	3 3/8	4 NPT	6 3/16	6 3/8	3 1/2	3 1/2	3 1/2	3 1/2	14	12 1/8	17 3/8	5 3/8	10 1/2	10 1/2	1 3/8	6 3/4	11 1/4	6 1/4	17 3/16	2 1/2	8 3/4	1 7/8	1 1/8	1 1/8	1/4 X 1/8	222
6005	18 3/4	9 7/16	5 5/8	3 1/16	3 NPT	3 13/16	3 15/16	Δ 4 1/8	Δ 7 1/8	Δ 1 1/16	Δ 4 1/16	10 1/8	15 1/16	21 11/16	6 1/4	17	11	2 7/16	8 3/4	14 3/4	8 3/4	19 13/16	3	11 3/4	2 1/8	3/4	1 3/8	3/16 X 3/32	250
6008	21 3/4	10 15/16	7 7/8	3 11/16	5 NPT	5 5/16	5 5/16	Δ 4 1/8	Δ 7 1/8	Δ 1 1/16	Δ 4 1/16	13 1/8	15 1/16	21 11/16	6 1/4	17	11	2 7/16	8 3/4	14 3/4	8 3/4	19 13/16	3	11 3/4	2 1/8	3/4	1 3/8	3/16 X 3/32	310
6015	28 3/4	14 7/16	10 5/8	3 11/16	6 FLG	8 13/16	8 13/16	Δ 4 1/8	Δ 7 1/8	Δ 1 1/16	Δ 4 1/16	20 1/8	16 7/16	21 11/16	7 1/2	17	11	1 1/16	8 3/4	14 3/4	8 3/4	19 13/16	3	11 3/4	2 1/8	3/4	1 3/8	3/16 X 3/32	456
7006	20 5/16	10 5/16	5 15/16	4 1/16	4 NPT	4 7/8	4 7/8	Δ 5 1/2	Δ 9	Δ 2	Δ 5 1/2	11 3/4	20 5/8	26 1/8	9 5/8	21	14	1 3/8	11	18	11	23 1/4	3 1/2	14 1/2	2 3/8	3/4	1 3/16	3/8 X 3/16	425
7011	25 5/16	12 13/16	8 7/16	4 1/16	6 FLG	7 3/8	7 3/8	Δ 5 1/2	Δ 9	Δ 2	Δ 5 1/2	16 3/4	19 1/2	26 1/8	8 1/2	21	14	2 1/2	11	18	11	23 1/4	3 1/2	14 1/2	2 3/8	3/4	1 3/16	3/8 X 3/16	555
7018	32 3/16	16 3/16	11 15/16	4 1/16	8 FLG	10 7/8	10 7/8	Δ 5 1/2	Δ 9	Δ 2	Δ 5 1/2	23 3/4	19 1/2	26 1/8	8 1/2	21	14	2 1/2	11	18	11	23 1/4	3 1/2	14 1/2	2 3/8	3/4	1 3/16	3/8 X 3/16	675

NOTE:
1. REFER TO CURRENT MAINTENANCE MANUAL FOR SERVICE INSTRUCTIONS.

2. MODELS 6005 THRU 7018 HAVE 2 SLOTS IN EACH FOOT, 7/8 X 1 3/16. G₁ AND G₂ VALUES ARE CENTERLINE DIMENSIONS FOR THESE SLOTS. LOCATE MOUNTING BOLTS PER (U) OF THE G₁ OR G₂ VALUES ONLY.

TUTHILL
Pneumatics Group Springfield, Missouri USA

ROTARY BLOWER OUTLINE

SIZE: DR COMPETITOR PLUS SERIES

DR SM 5-23-97 CH MS 6-3-97